

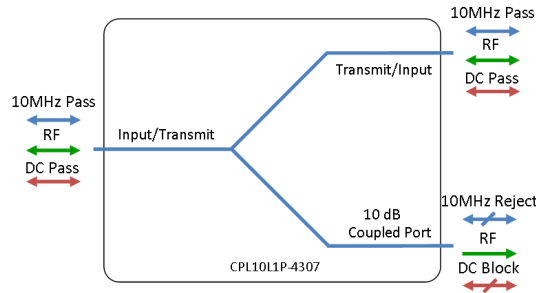


Model Number:
CPL10L1P-4307

RF Components

10dB L-band Directional Coupler

850 MHz to 2150 MHz



- DC & 10 MHz pass from input to transmit ports
- Coupled port, DC blocked

Available with RF connector options:

- 50 Ω SMA
- 50 Ω N-type
- 50 Ω BNC
- 75 Ω BNC
- 75 Ω F-type.



Compact
Housed in rugged compact enclosure

Flexible Mounting
Tapped screw & through hole mounting options

850-2150 MHz
Operating frequency range. L-Band ready

RF Parameters					
CPL10L1P-4307-XXXXXX	S5S5S5	N5N5N5	B5B5B5	B7B7B7	F7F7F7
Frequency Range	850 - 2150 MHz				
RF Connectors	50Ω SMA	50Ω N-Type	50Ω BNC	75Ω BNC	75Ω F-Type
Through Path :					
Mean Insertion Loss (dB)	1.0 ± 0.2	1.0 ± 0.2	1.0 ± 0.4	1.2 ± 0.4	1.2 ± 0.4
Flatness (dB)	± 0.5	± 0.5	± 0.6	± 0.6	± 0.6
Input Return Loss (dB)	Typ	20	18	18	12
	Min	15	14	14	8
Output Return Loss (dB)	Typ	20	18	18	12
	Min	15	14	14	8
Coupled Port :					
Mean Coupling Factor (dB)	10 ± 1.0	10 ± 1.0	10 ± 1.0	10 ± 1.0	10 ± 1.0
Flatness (dB)	Typ ± 1.5	± 1.5	± 1.6	± 1.8	± 1.8
Return Loss (dB)	Typ	20	18	18	12
	Min	12	12	12	8
Directivity (dB)	Typ 14	14	14	14	14

10MHz Insertion Loss is up to 3dB above the theoretical loss*
 10MHz Rejection is 20dB*
 *To ports which are applicable

Broadcast



Marine Oil & Gas



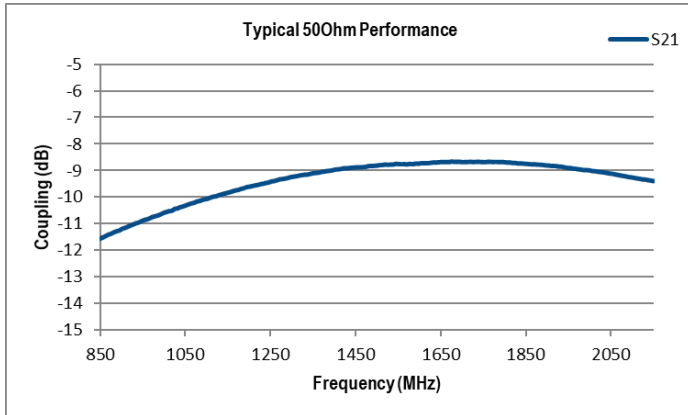
SNG & VSAT



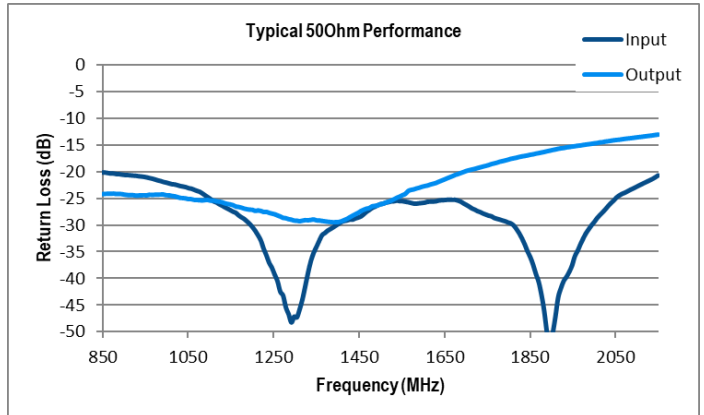
Satellite Teleport



Technical specifications and operating parameters



Coupling (dB)



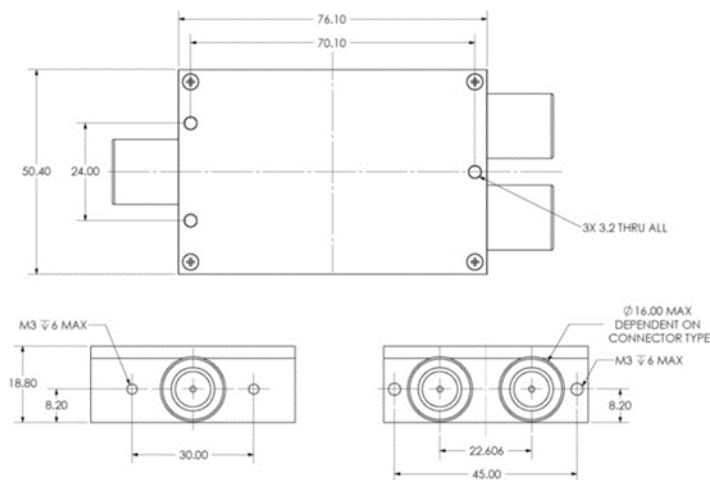
Return Loss (dB)

Environmental	
Operating Temperature	0°C to +45°C
Storage Temperature	-20°C to +75°C
Location	Indoor use Only
Humidity	Max 85% non-condensing
Altitude	Max 10,000 feet

Max Operating Parameters	
Input RF Power	+37 dBm (5W)
DC Voltage	50V
DC Current	3.5A max 5A if N-Type connectors

! Operation beyond these limits may cause instantaneous and permanent damage.

Physical Dimensions (mm)



Note: The specification is subject to regular reviews and will be updated from time to time as part of our continuing product development and improved specification accuracy.